

Product designation				Auxiliary contactor
Product type designation				DPBG12
Contact characteristics				
Number of poles		Nr.	3	
Operational frequency		min	Hz	25
		max	Hz	400
Mechanical features				
Operating position		normal allowable	Vertical plan ±30°	
Fixing			Screw / DIN rail 35mm	
Weight		g	200	
Operations				
Mechanical life		cycles	20000000	
Electrical life		cycles	500000	
Safety related data				
Performance level B10d according to EN/ISO 13489-1		rated load mechanical load	cycles	500000
			cycles	20000000
Mirror contacts according to IEC/EN 60947-4-1			YES	
EMC compatibility			YES	
AC coil operating				
Rated AC voltage at 60Hz		V	24	
AC operating voltage				
	of 60Hz coil powered at 60Hz			
	pick-up	min	%Us	75
		max	%Us	115
	drop-out	min	%Us	20
		max	%Us	55
AC average coil consumption at 20°C				
	of 50/60Hz coil powered at 50Hz	in-rush holding	VA	30
			VA	4
	of 50/60Hz coil powered at 60Hz	in-rush holding	VA	25
			VA	3
	of 60Hz coil powered at 60Hz	in-rush holding	VA	30
			VA	4
Dissipation at holding =20°C 50Hz			W	0.9
Max cycles frequency				
Mechanical operation		cycles/h	3600	
Operating times				
Average time for Us control				
	in AC			
		Closing NO		
		min	ms	12
		max	ms	21

Opening NO	min	ms	9
	max	ms	18
Closing NC	min	ms	17
	max	ms	26
Opening NC	min	ms	7
	max	ms	17
<hr/>			
in DC			
Closing NO	min	ms	18
	max	ms	25
Opening NO	min	ms	2
	max	ms	3
Closing NC	min	ms	3
	max	ms	5
Opening NC	min	ms	11
	max	ms	17

UL technical data

Full-load current (FLA) for three-phase AC motor

at 480V	A	11
at 600V	A	11

Yielded mechanical performance

for single-phase AC motor

110/120V	HP	0.5
230V	HP	1.5

for three-phase AC motor

200/208V	HP	3
220/230V	HP	3
460/480V	HP	7.5
575/600V	HP	10

General USE

Contactor

AC current	A	20
------------	---	----

Short-circuit protection fuse, 600V

Standard fault

Short circuit current	kA	5
Fuse rating	A	30
Fuse class		RK5

Contact rating of auxiliary contacts according to UL

A600 - Q600

Ambient conditions

Temperature

Operating temperature

min	°C	-50
max	°C	+70

Storage temperature

min	°C	-60
max	°C	+80

Max altitude

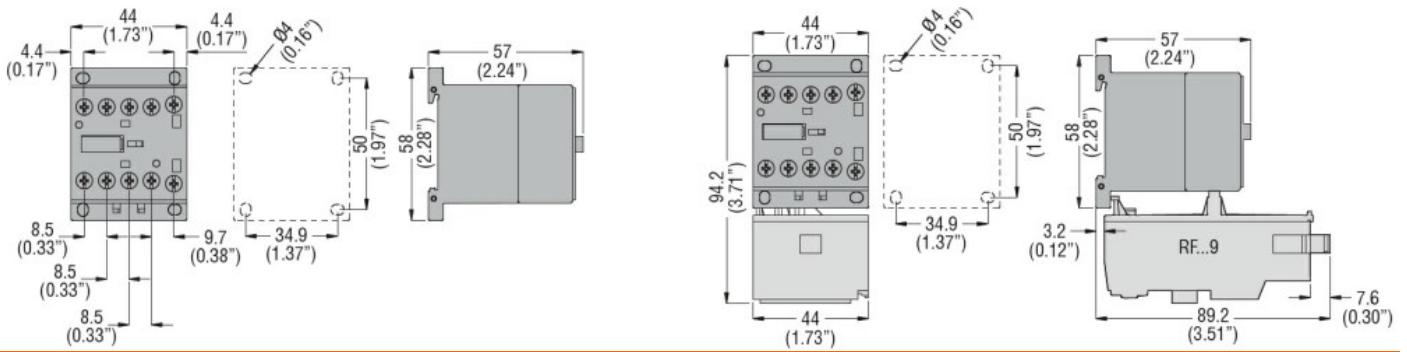
m 3000

Resistance & Protection

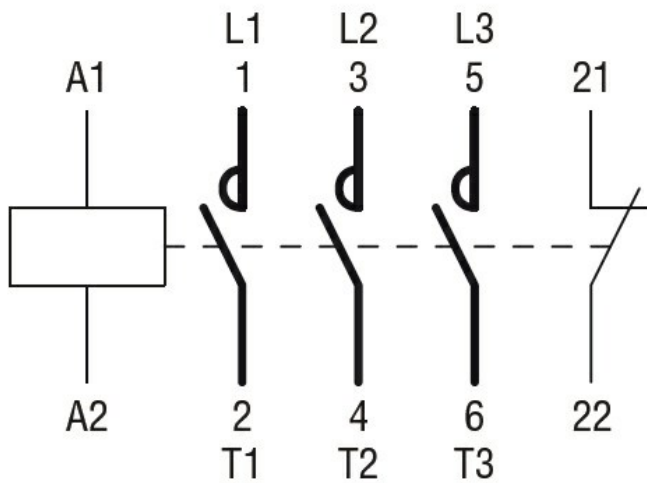
Pollution degree

3

Dimensions



Wiring diagrams



Certifications and compliance

Compliance

CSA C22.2 n° 60947-1
CSA C22.2 n° 60947-4-77
UL 60947-1
UL 60947-4-1

Certificates

cULus

ETIM classification

ETIM 8.0

EC000066 -
Power contactor,
AC switching